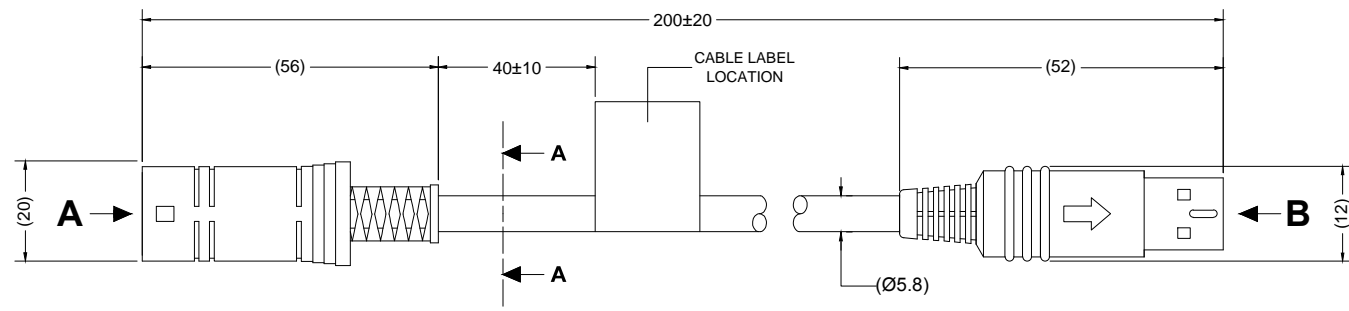
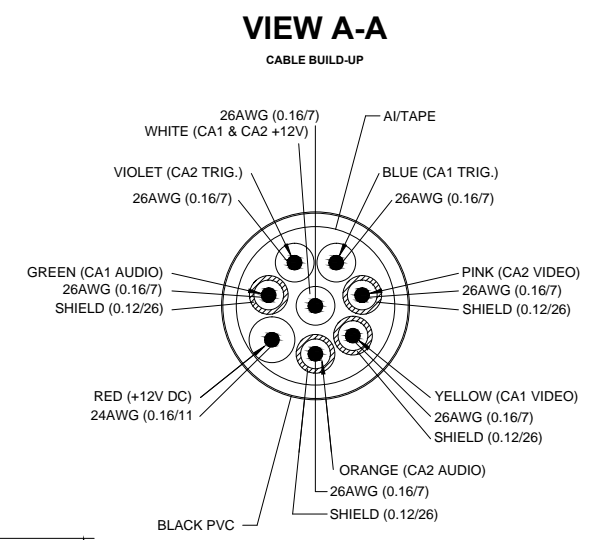
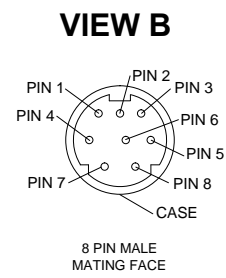
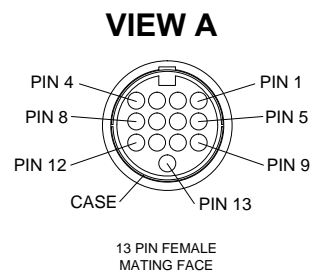


| | | | | |
|-----------------|---------|-----------|------------|---------|
| Revision Notes. | | | | |
| R1 - | | | | |
| APA: - | Drawn:- | Checked:- | Approved:- | Date: - |



CONNECTION MATRIX

| | | CONNECTOR 'A' | | | | | | | | | | | | | | |
|---------------|------------|---------------|----------|-----------|-----------|----------|----------|-----------|---|---|----|--------|--------|--------|------|--|
| CONNECTOR 'B' | PIN NUMBER | 1 | 2 | 3 | 4 | 5 | 6 | 7 | 8 | 9 | 10 | 11 | 12 | 13 | CASE | |
| | 1 | | | | | | | | | | - | - | - | | / | |
| | 2 | | / | | | | / | | | - | - | - | | | | |
| | 3 | | | | | | | / | | - | - | - | | | | |
| | 4 | | | | | / | | | | - | - | - | | | | |
| | 5 | | | | | | | | / | - | - | - | | | | |
| | 6 | / | | | | | | | | - | - | - | | | | |
| | 7 | | | | | | | | | - | - | - | | | | |
| | 8 | | | / | | | | | | - | - | - | | | | |
| | CASE | | | | | | | | | | - | - | / | | / | |
| WIRE | PINK | WHITE | BLUE | ORANGE | YELLOW | WHITE | VIOLET | GREEN | | | | SHEILD | RED | SHEILD | | |
| DESCRIPTION | CA2 VIDEO | CA2 +12V | CA1 TRIG | CA2 AUDIO | CA1 VIDEO | CA1 +12V | CA2 TRIG | CA1 AUDIO | | | | GROUND | 12/24V | GROUND | | |

- NOTES:
- ENSURE ARROWS LINE UP WITH LOCATING LUG ON CONNECTOR.
 - CABLE MUST BE ONE CONTINUOUS LENGTH BETWEEN CONNECTORS
 - FOR CABLE LABEL REFER TO GENERIC CABLE LABEL DRAWING BE-001960-XX-12.
 - FOR GIFT BOX LABEL REFER TO GENERIC GIFT BOX LABEL BE-002144-XX-12.
 - MAXIMUM RESISTANCE PERMITTED 0.25Ω.

PROPRIETARY NOTICE
 THIS DESIGN AND TECHNICAL INFORMATION APPEARING ON THIS DRAWING IS THE PROPERTY OF BRIGADE ELECTRONICS, AND IS DISCLOSED IN CONFIDENCE. IT IS NOT TO BE COPIED, REPRODUCED, REVEALED TO OR EXPROPRIATED BY OTHERS, EITHER IN WHOLE OR IN PART WITHOUT THE EXPRESS WRITTEN CONSENT OF BRIGADE ELECTRONICS.



| | | | | | | | |
|---|--|------------------------|--------------|-----------------------|-------------------|----------------------|--|
| Assembly PI Approval T.CHOI 13/03/14 | | Approved by G.PLITH | | Checked by R.BATES | | Drawn by P.MISSEN | |
| Angle of Projection Third Angle | | Units mm | Scale N/A | Released 28/03/14 | Assembly Ref - | | |
| Status RELEASED | | AC-061 | | | | | |
| Part No 4662 | | BE-002796-00-14 | | | | | |